



OVAS[®]

The Art of Lifestyle

2023
Bespoke Design Collection

OVAS

The Charmchuri Wood Whisperer, Crafted in Chiang Mai

Inspired by Nature, Driven by Passion

our philosophy

Established in 2001, OVAS specialized in premium solid wood interior furnishing and furniture. To live well is to be surrounded by beauty in all moments of our lives. At OVAS, we truly believe solid wood pieces instill life, warmth and soul into living spaces, enhancing them in ways that appeal to all our senses. At the core of what we practice at OVAS is our philosophy 'Inspired by Nature, Driven by Passion', and this has remained the same over the last decade.

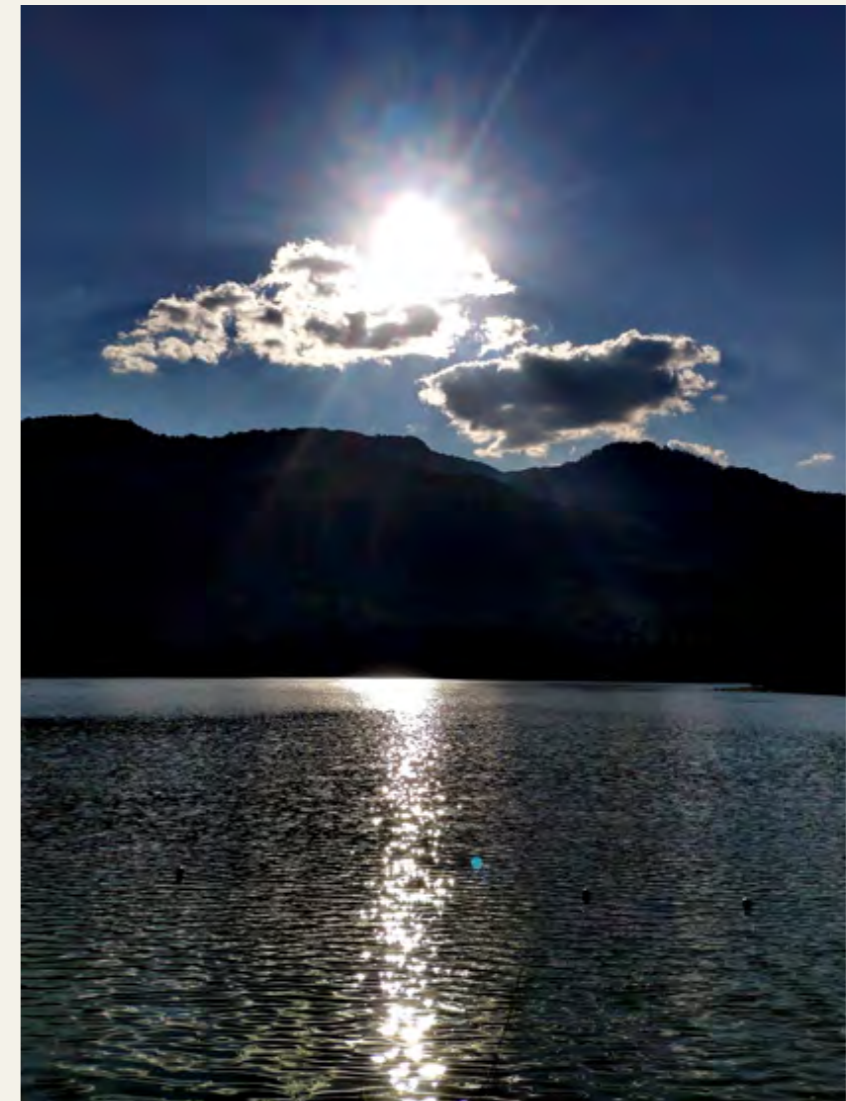
OVAS started out with a collection of solid mango wood vases and tableware. The company has since blossomed into a purveyor of solid wood furnishing and furniture. With that, OVAS holds dear to the belief that natural woods uplift the life and soul of living spaces. The spirit of OVAS is literally encapsulated in its name – the letter O stands for Originality, followed by V for Vases, A for Arts and S for Sculptures – in which are the many different forms of beauty that breathe life into a home. Our solid wood products, which are suited for homes, commercial spaces and hotel, exude sophistication with its reference to organic forms found abundantly in nature.

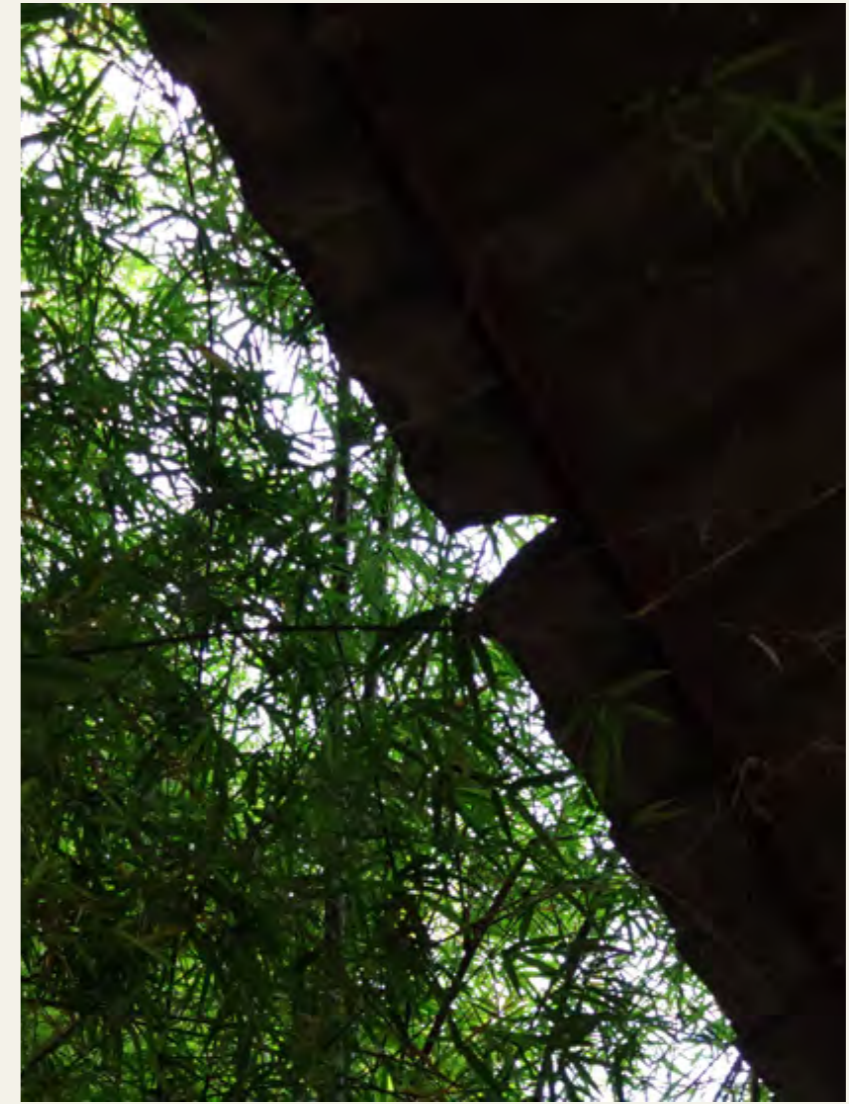
In 2008, OVAS established a collaboration with a renowned manufacturer of premium quality Acacia wood furniture. Our factory is situated in the woodland mountainous area of Doi Saket, Chiang Mai in northern Thailand. Over a decade, a modest workshop with a handful of craft people has expanded into a much wider workspace with high-performance equipment, tooling and machineries dealing with heat treatment, woodwork, metal work, and eco-friendly paintwork.





“The northern part of Thailand is home to highly skilled wood artisans, and an ample supply of indigenous Chamchuri wood with incomparable unique characters. Our long-term research has rendered us expertise in creating designs which bring the best out of this wood’s exceptional nature. We trust that the Thai manufacturing and designing standards are competitive with any in the world, and will definitely enhance the consumers’ quality of life.”





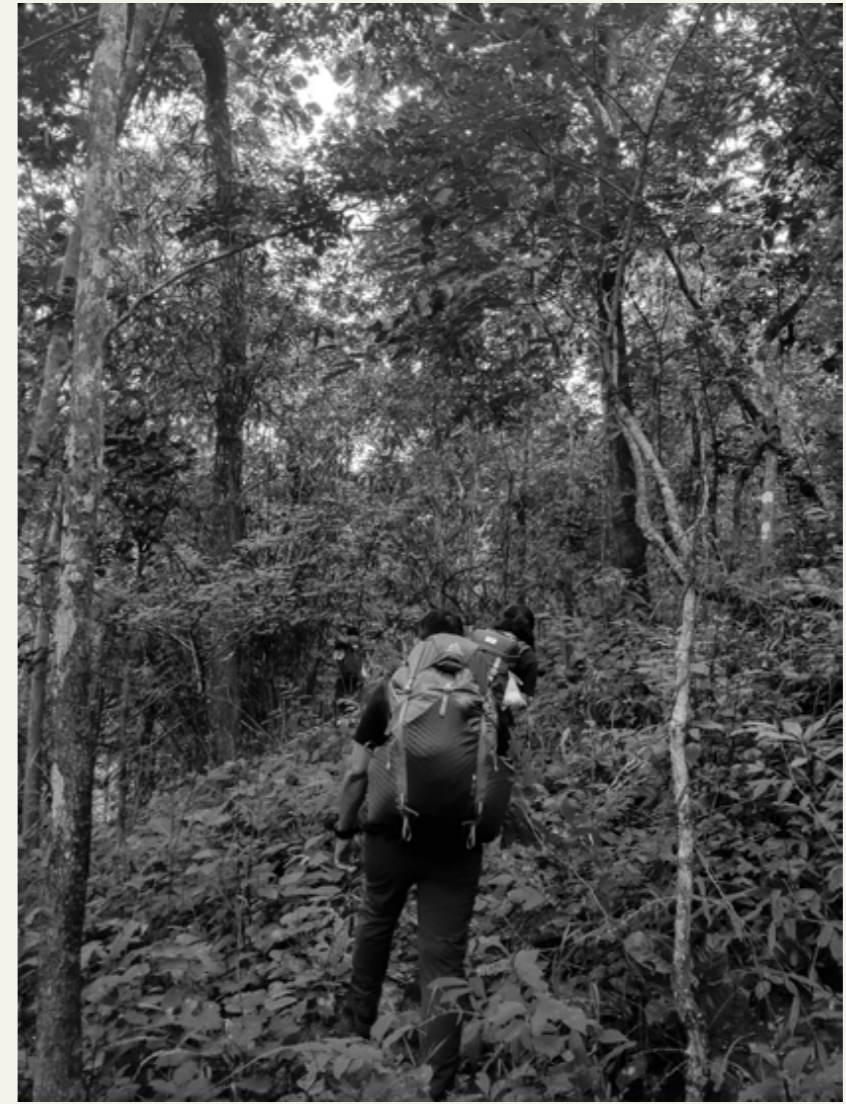
Wisdom in Eastern Philosophy

Our concept is based on the interpretation of Eastern philosophy and lifestyle in the modern world. This is presented through our contemporary, industrial/crafted furniture designs.

Humility and an inclination to compromise are in the nature of Asian people, including Thais. The timeless wisdom encompassing spiritual heritage and beliefs, respect, and faith in nature, constitutes attitudes that represent our identity and way of life. The application of such wisdom results in designs that reflect our selves within. This is communicated to the world with modern design language, representing the convergence of the old and the new, with transcultural identity.

It is our inspiration to restore the intricate Asian aesthetics and living philosophy, which can only be felt and understood by heart.





Chamchuri Wood & Local Craftsman

Thailand's Chamchuri is known by the world as Acacia, which belongs to Rain Tree family. They are tropical plants which patterns and colors different from cold-climate trees. The wood has darker streaks interlocking with light brown color and has high moisture content. It is important to understand its nature well when handling.

In Thailand, Chamchuri trees are cultivated for commercial use. With their high skills and familiarity with the wood, OVAS craftsmen highly value the wood's worthiness, hence, the attempt to minimize waste.

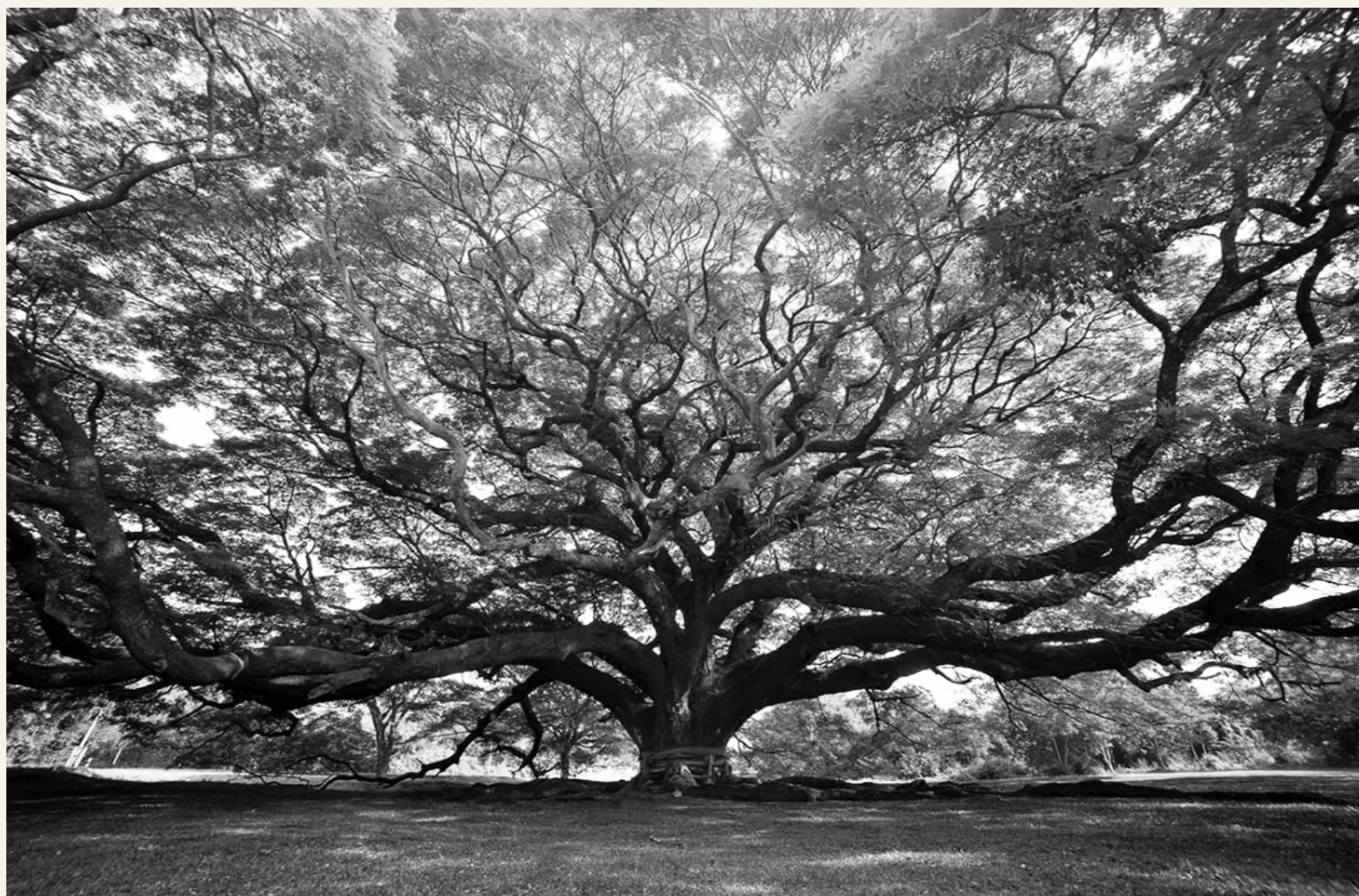
Prime-quality materials are crafted using both hand and machine tools, with intention to bring forth unparalleled-quality furniture to customers. In a way, this is how artists fill the empty canvas with meaningful arts.

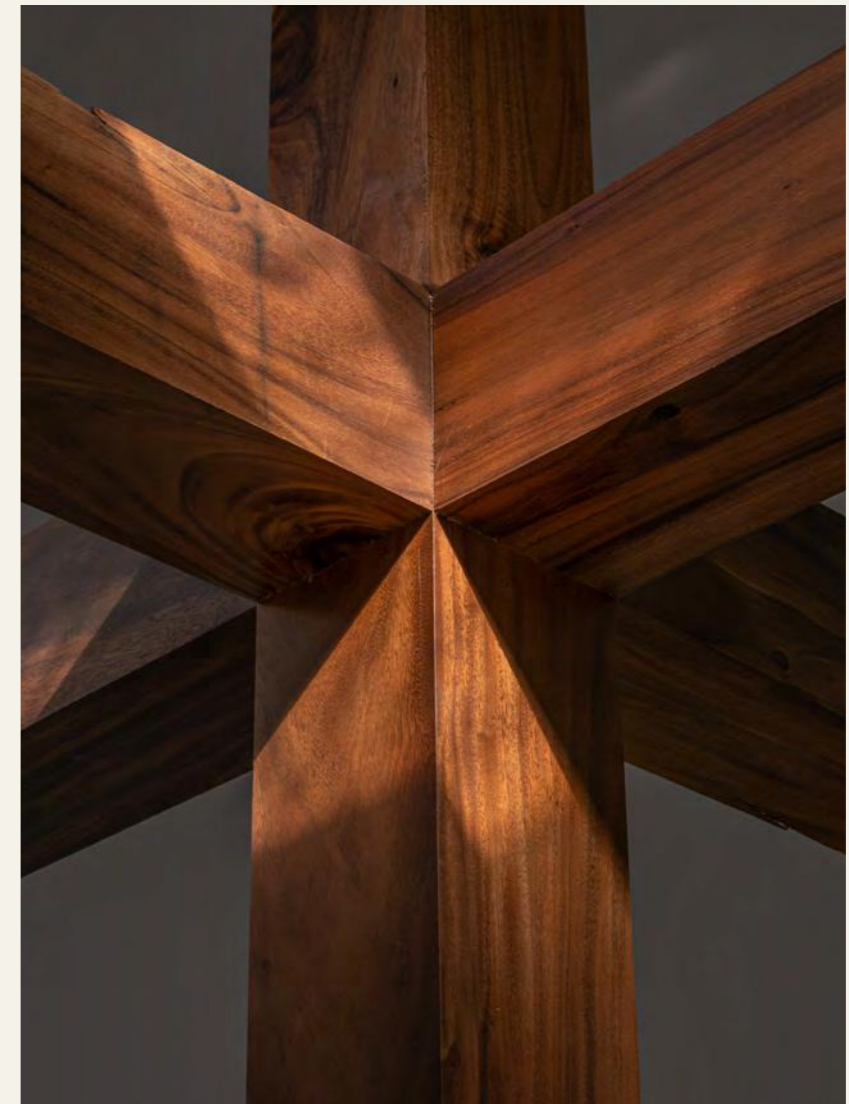
In the world where modern industry has strong influence in almost every aspects of life, recognizing our roots and identity makes our works an inseparable part of lifestyle, and will continue despite the test of time.















Pare down to the essence,
but don't remove the poetry.

LEONARD KOREN

Designer + Products

*new

SIAM *bookshelf*

w910 x d300 x h1480 mm

designed by RATHEE PHAISANCHOTSIRI

A collaborative work of two renowned local brands from Chiang Mai, Moonler and Siam Celadon. The Siam bookshelf fuses celadon, the highly praised local ceramic, with Chamchuri wood, resulting in a striking design.

The Siam bookshelf is a new interpretation of a familiar marriage between ceramic objects and a bookshelf. It is an imprinted memory of ceramic pieces embedded into wood, turning an ordinary piece of furniture into an impressive decorative item. Celadon bookends and vases can be moved around to fit individual preferences.





1. Combination Wood & Celadon : 12 wooden bases / 2 celadon bookends, 2 celadon vases
2. All Wood : 12 wooden bases, 4 wooden bookends

*Notes : the position of celadon bookends & vases can move by hand.





MESA *bench*

w1800 x d350 x h450 mm

w2260 x d430 x h450 mm

w2800 x d450 x h450 mm

designed by RATTHEE PHAISANCHOTSIRI

Aesthetics is not absolute but is a subjective interpretation of an individual's experiences. The Mesa Collection presents another perspective of beauty which abandons formality. Asymmetric surface, shapes, and features create a more natural form, representing imperfection of the natural world. This furniture piece is therefore perfect to be used in settings that requires flexibility.





KENA Collection

designed by
RATTHEE PHAISANCHOTSIRI

Ambiguity between the two forms of creativity, art and design, was a popular conversation during Mid-20th century.

Dedicated to the design language of that era, the Kena Collection represents the interplay between a striking furniture piece and a functional sculpture, to fill the gap in your home life.

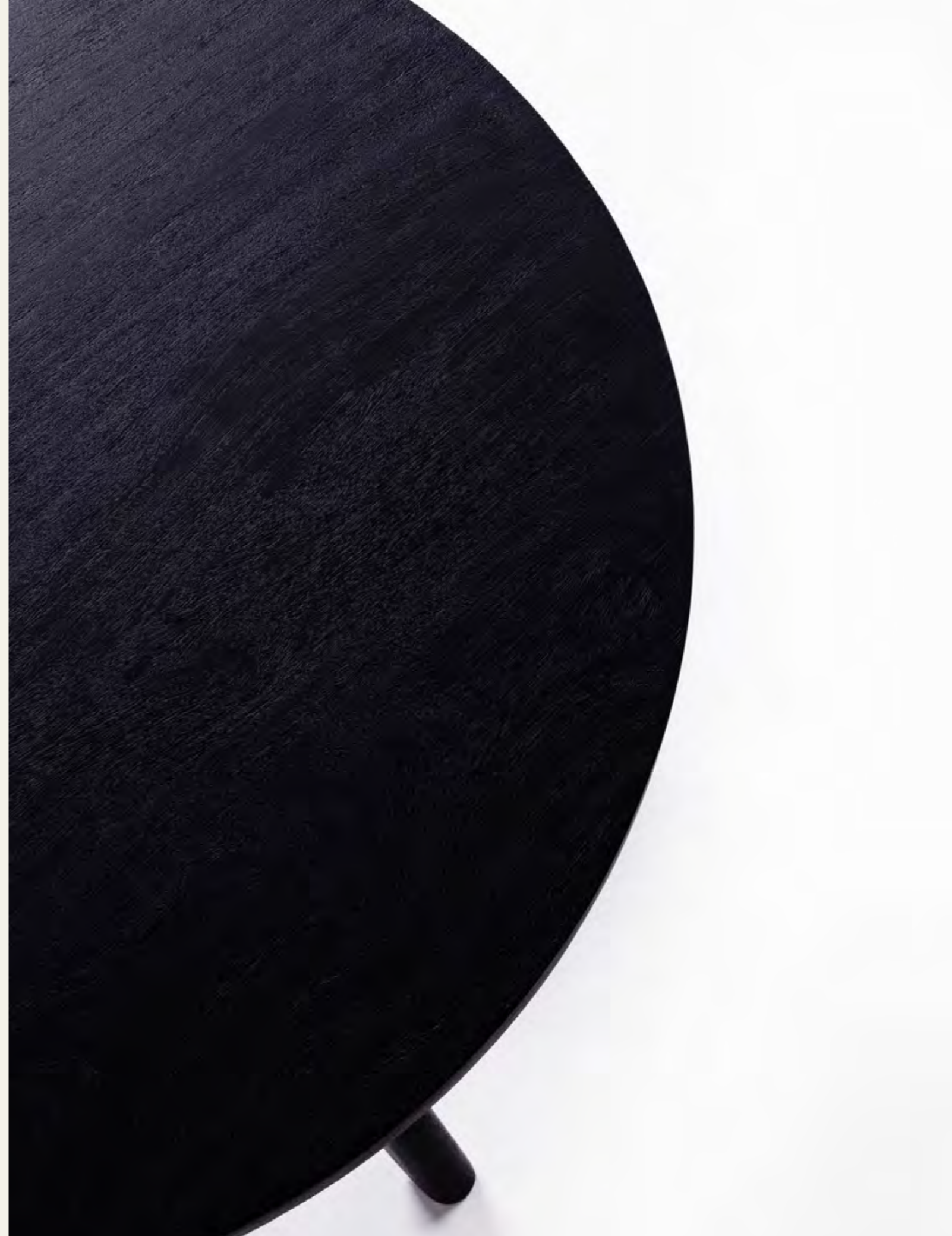




KENA Chair







KENA Table(round)





KENA Table



LUNAR chair

designed by
ATELIER 2+





PHAKA Collection

designed by
RATTHEE PHAISANCHOTSIRI

The Phaka collection is a quest for the simplest structure, an essential character of a good chair. The pure, humble aesthetic is created by exceptional craftsmanship. For best proportions, the chair design reveals the golden ratio, where careful calculation brings beauty to the eyes.

The Phaka chair exemplifies spiritual essence of an object designed and crafted by humans. An example of an everyday object that glorifies humility and simplicity.



KARIN *arm chair*

w549 x d539 x h757(sh440) mm
designed by RATHEE PHAISANCHOTSIRI

We are always hopeful to submit our ideas for local industrial handicrafts to be able to live with the changing eras every day.

The Karin Chair not only adheres to that principle, but we are constantly improving our design approach and skills to deliver the best results for people.









PHAKA Chair

DHALIA collection

designed by RATHEE PHAISANCHOTSIRI

The design concept of this collection is to present the texture of Chamchuri wood to stand out from the familiar touch. It's like planting a small tree in the house for warmth and easy on the eyes.





side chair

w493 x d550 x h760(sh440) mm





bar chair

w517 x d495 x h830(sh660) mm

w528 x d516 x h935(sh765) mm





stool

w494 x d393 x h440 mm



bar stool

w517 x d420 x h660 mm

w528 x d432 x h765 mm



bench

w1640 x d393 x h440 mm





table

w1800 x d1000 x h720 mm

w2200 x d1000 x h720 mm





console

w1500 x d429 x h900 mm





PHAKA Lounge



The Phaka lounge expand the design concepts of structural simplicity and spiritual essence of materiality to another territory. Additional features such as wood slab armrests and wickerwork do not subtract from the existing balance. They instead soften and deepen the overall look.

BUACHEEN stool

designed by
RATTHEE PHAISANCHOTSIRI

A minimal, humble stool stripped down to its essential structure. Material characteristics are honored with the fusion of wood and metal. With legs kept visually clean, this object blends in with your living space, creating absolute, long-lasting beauty.

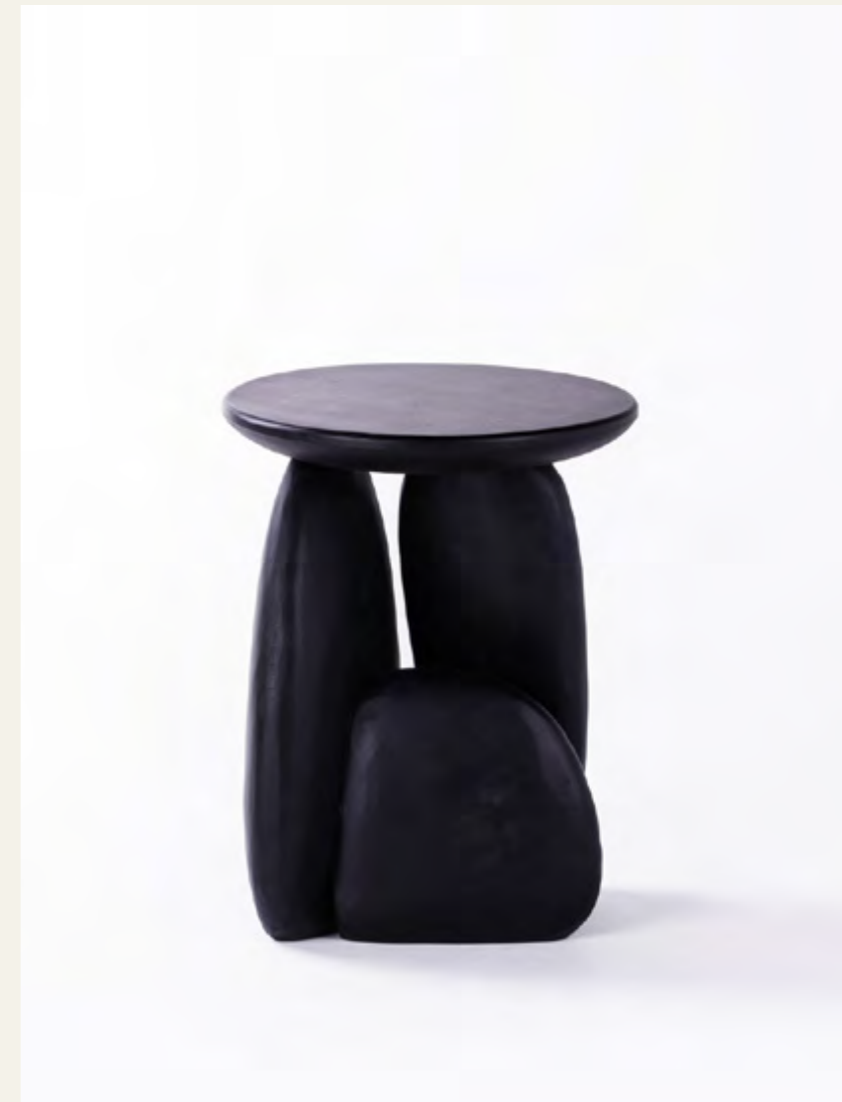






PEBBLE stool

designed by
ATELIER 2+





WALEE bench

designed by
RATTHEE PHAISANCHOTSIRI

Usually treated as scraps, broken wood ends are joined to create furniture pieces of distinctive character. The assembly of small pieces allows customization with any desired shape and size, meaning easy configuration to fit with any space scales.





SALMON Collection

designed by
o-d-a

Like a skillful trained sushi chef filleting a fish, Salmon is built from one long log cut into 2 big pieces for the seat and 8 small pieces for the legs. The symmetrical and simple shape maintains the essence and beauty of the raw materials. The humblest way a craftsman shows his respect to materiality.







SALMON Side Table

MESA Collection

designed by
RATTHEE PHAISANCHOTSIRI

Aesthetics is not absolute but is a subjective interpretation of an individual's experiences. The Mesa Collection presents another perspective of beauty which abandons formality. Asymmetric surface, shapes, and features create a more natural form, representing imperfection of the natural world. This furniture piece is therefore perfect to be used in settings that requires flexibility.





MESA Low Table





MESA Table





MESA Shelf



TORII *stool*

w400 x d240 x h450 mm
designed by SUPER DONUT STUDIO

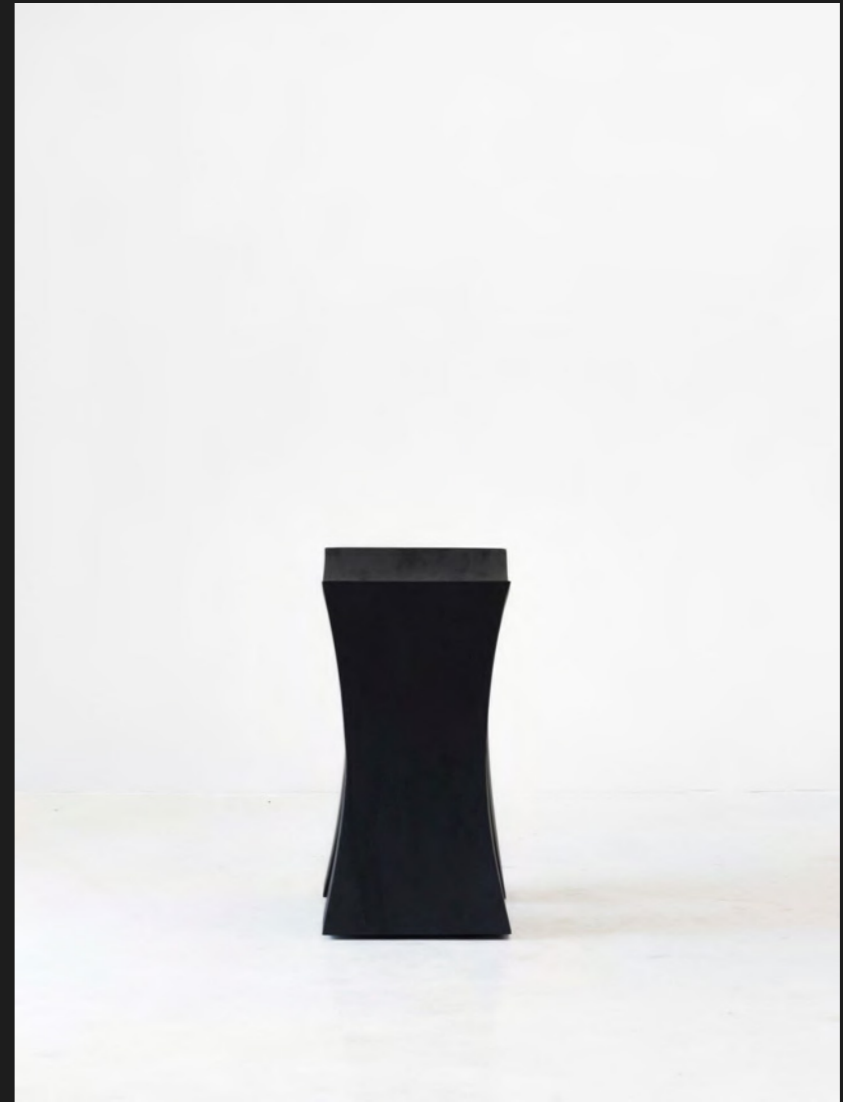
The introduction of Torii, a minimalist collection infused with the Japanese spirit and culture. The collection draws influence from the traditional Japanese gate which is typically found in Shinto shrines or the house of a family with a newborn baby.

Japanese Torii gates are traditionally made from wood. In a similar approach, the Torii collection features exquisite pieces crafted from wood, a sturdy material to withstand daily usage in spaces. The pieces are characterized by the curve-edged volumes, showcasing the grain and texture of the selected wood finish that expresses the balance between nature and humans.

With its pure and timeless lines, the minimalist appearance fits easily into any setting of your home. It can be placed beside the shoe cabinet or using it as a seat in the living area. It can also be an accent piece for the communal areas.

The Torii is a simple yet subtly sophisticated collection, defined by its distinct proportions and traditional elements; the collection is a great addition to instill harmony and calmness to the space.







DIALOGUE side chair

w450 x d550 x h750(sh440) mm
designed by Atelier2+









AERO table

w2400 x d900 x h740 mm
designed by Atelier2+

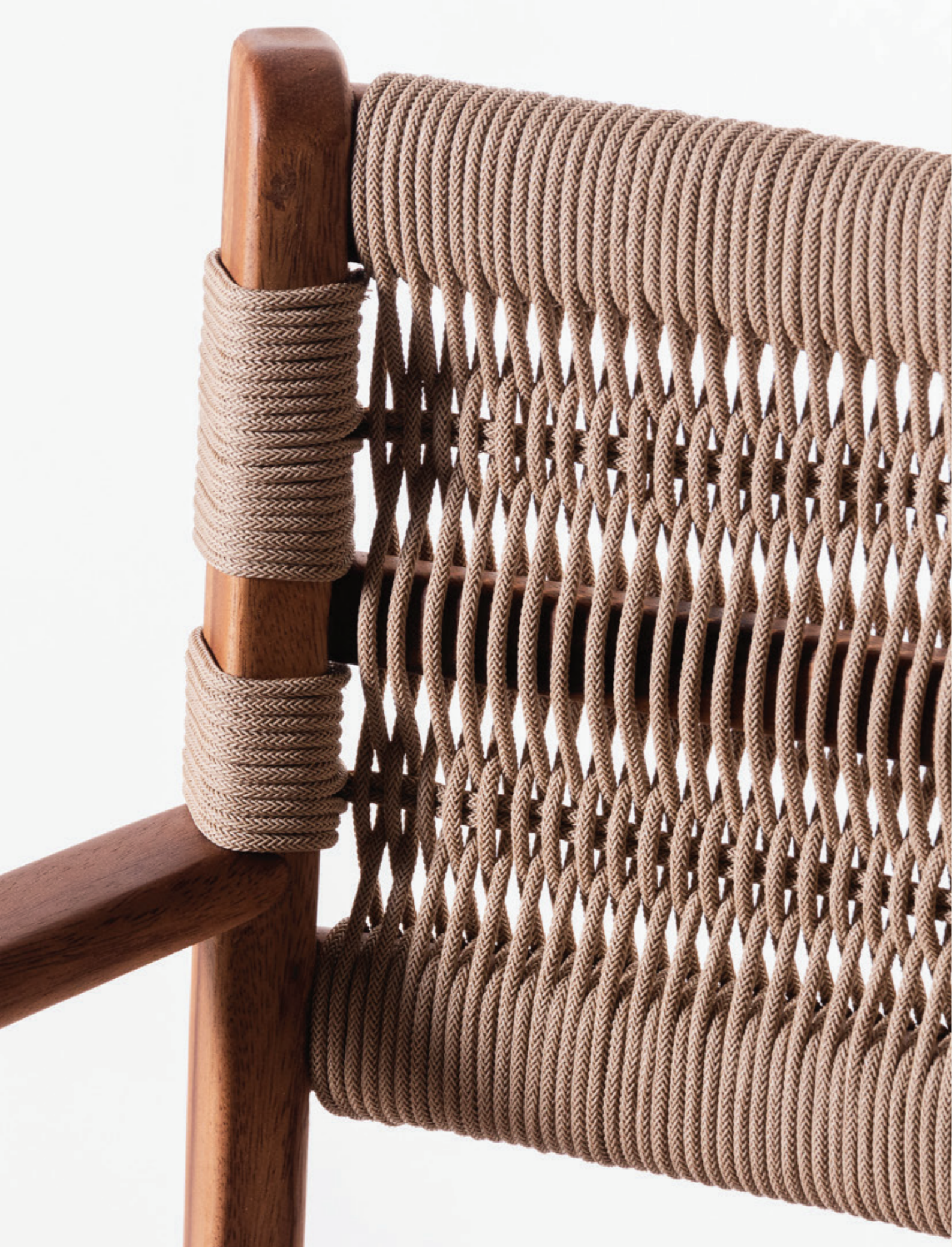




VILAS *chair*

w570 x d540 x h770 mm





DARAKORN shelf

designed by
RATTHEE PHAISANCHOTSIRI

A great deal of time was spent considering the best way to cut wood without wasting its unique beauty. After careful consideration, this wood piece maintains its essential values by combining natural-shaped wood with simple pieces, creating a shelf for which the strength of the middle piece supports the whole structure. When an object is placed on the shelf, the individual's perception of beauty is revealed.

The Darakorn shelf is like a picture frame magnifying beauty of materiality where the designer combines natural beauty and spiritual humility.







AERO shelf

designed by
ATELIER 2+







PANNA table

designed by
RATTHEE PHAISANCHOTSIRI

The Panna table brings new perspectives to typical wood-slab tables. With wood slabs placed in the middle, creating wave-like patterns, the table presents itself as a new form of beauty.









ELAIN ANUPAS (7997)

bar stool

w461 x d399 x h820 mm





MARS *round table*

w1000 x d1000 x h730 mm





PHAKA *table*
w2000 x d850 x h730 mm







ITAS Partition

designed by
ATSUSHI KOIKE





GROOVE floor lamp

designed by
ATSUSHI KOIKE

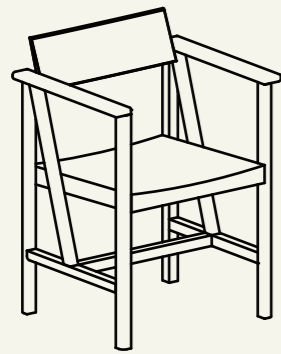
The Groove floor lamp features interesting patterns on wood ridges which are simply joined together with unusual angles. The results are light gaps, which makes the lamp a captivating piece and bring a sculptural touch and liveliness to any atmosphere.





Drawings

CHAIRS & STOOLS



Phaka Chair
w572 x d462 x h765(sh450)



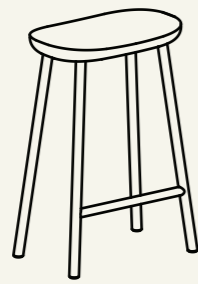
Kena Chair
w590 x d540 x h750(sh430)



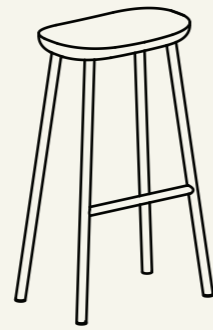
Lunar Chair
w430 x d460 x h780(sh430)



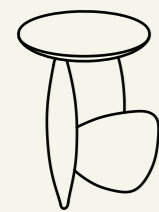
Buacheen Stool 450
w430 x d270 x h450



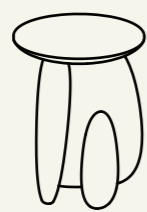
Buacheen Stool 630
w430 x d292 x h630



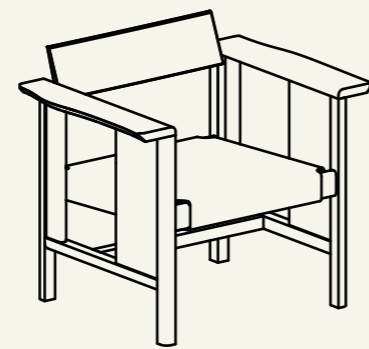
Buacheen Stool 760
w450 x d320 x h760



Pebble Stool 01
w375 x d362 x h450

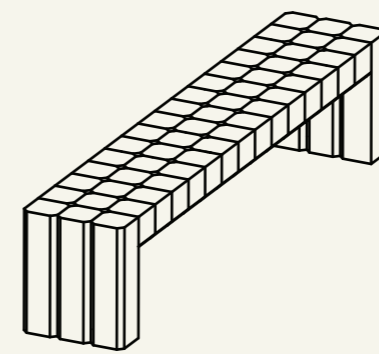


Pebble Stool 02
w362 x d350 x h450

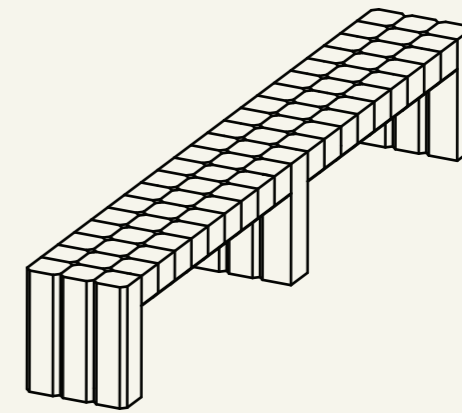


Phaka Lounge
w795 x d602 x h696(sh385)

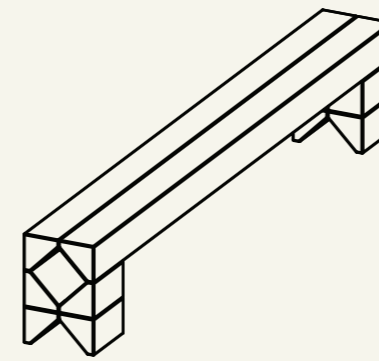
BENCHES



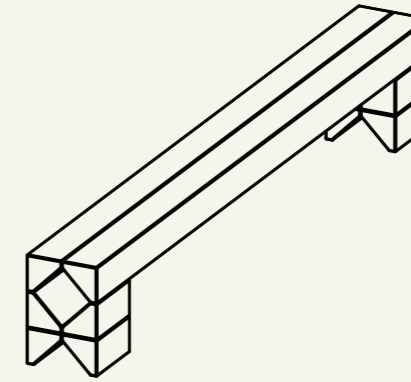
Walee Bench 1600
w1600 x d300 x h350



Walee Bench 2100
w2100 x d300 x h350

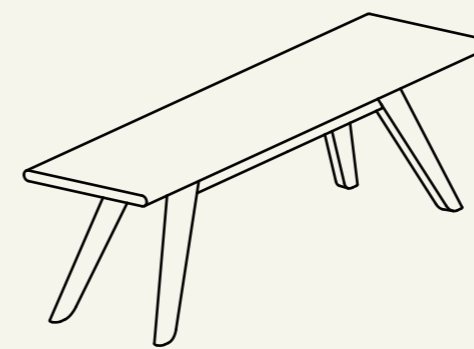


Salmon Bench 1600
w1600 x d210 x h315

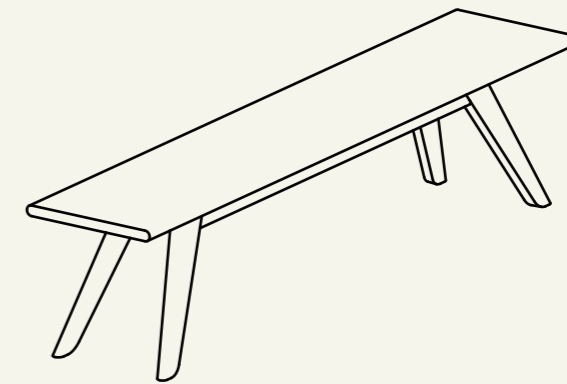


Salmon Bench 2000
w2000 x d210 x h315

LOUNGES & SOFAS

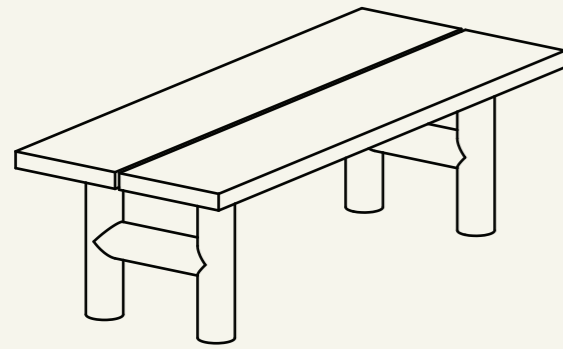


Kena Bench 1600
w1600 x d400 x h450

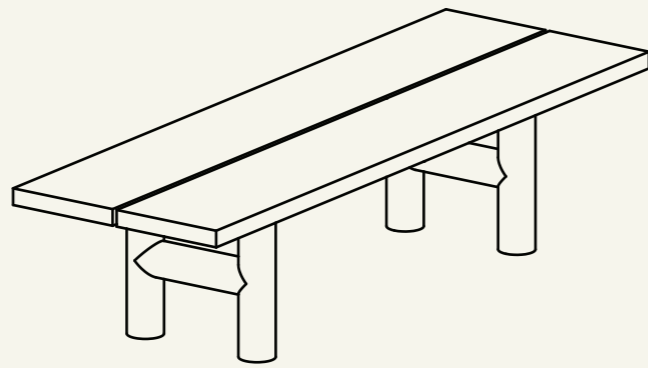


Kena Bench 2000
w2000 x d400 x h450

TABLES

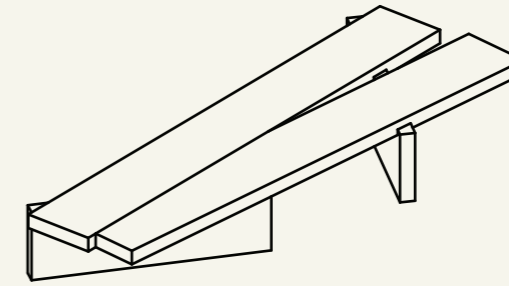


Panna Table 2400
w2400 x d1000 x h750

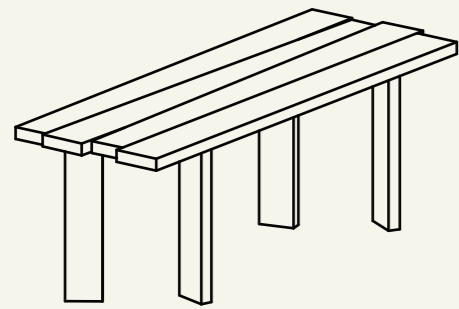


Panna Table 3000
w3000 x d1000 x h750

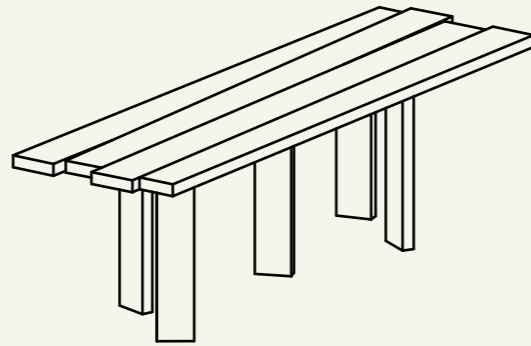
LOW & SIDE TABLES



Mesa Low Table
w1862 x d699 x h280



Mesa Table 2000
w2050 x d770 x h750



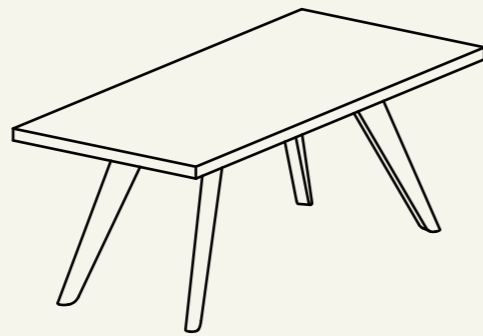
Mesa Table 2500
w2570 x d760 x h750



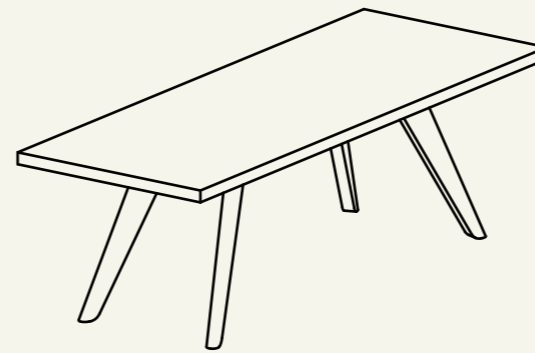
Salmon Side Table
w267 x d267 x h400



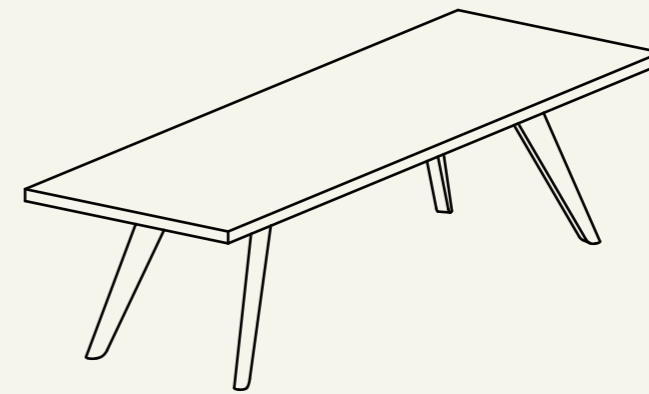
Kena Table 1050(round)
w1050 x d1050 x h750



Kena Table 2000
w2000 x d900 x h750

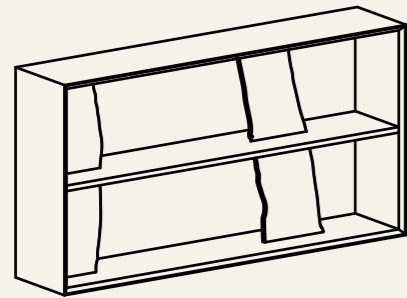


Kena Table 2400
w2400 x d900 x h750

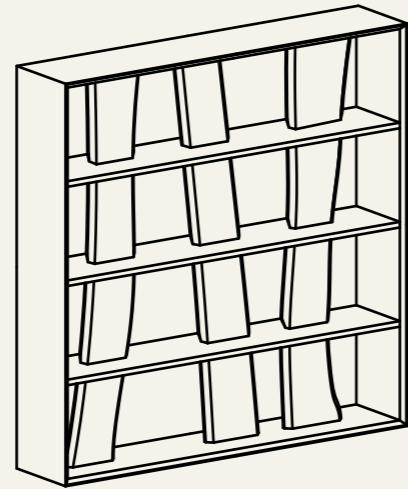


Kena Table 3000
w3000 x d1000 x h750

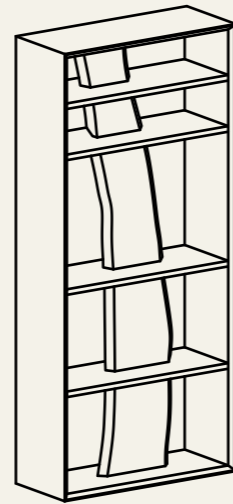
SHELVES



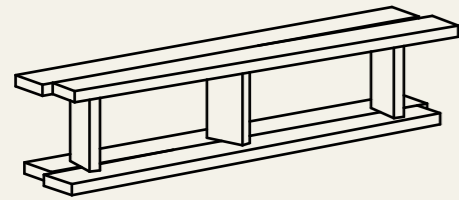
Darakorn Shelf 1800(horizontal)
w1800 x d370 x h940



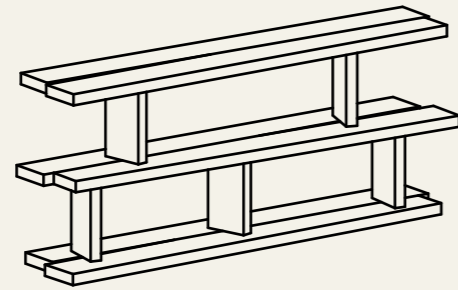
Darakorn Shelf 1800(square)
w1800 x d370 x h1800



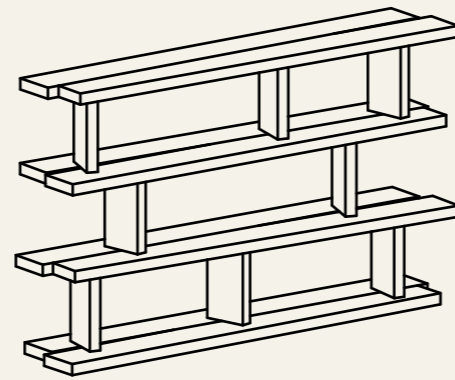
Darakorn Shelf 2000(vertical)
w900 x d370 x h2000



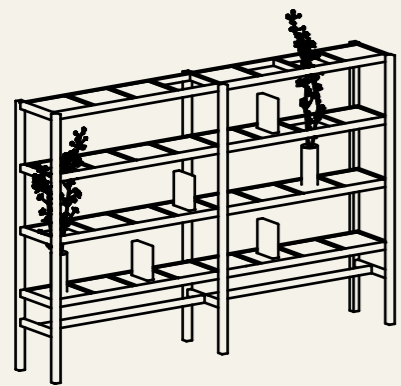
Mesa Shelf 450
w2050 x d450 x h450



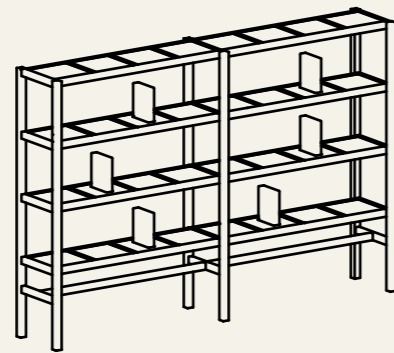
Mesa Shelf 850
w2050 x d450 x h850



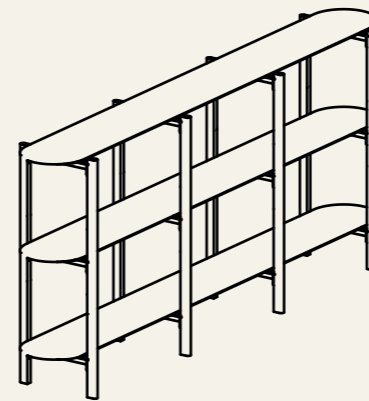
Mesa Shelf 1250
w2050 x d450 x h1250



Siam Bookshelf (wood+celadon)
w1790 x d300 x h1200

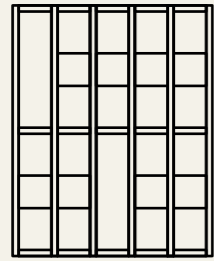


Siam Bookshelf (all wood)
w1790 x d300 x h1200

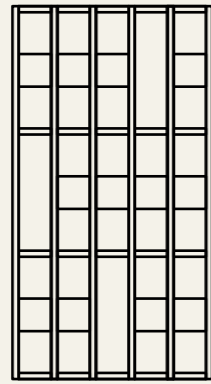


Aero Shelf
w2300 x d395 x h1005

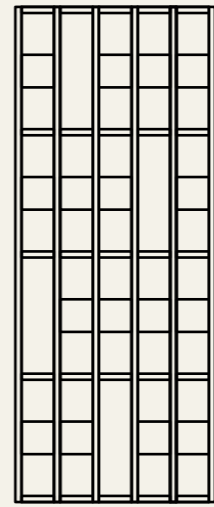
PARTITIONS



Itas Partition 1230
w1386 x d311x h1230



Itas Partition 1830
w1386 x d311x h1830



Itas Partition 2430
w1386 x d311x h2430

LIGHTINGS



Groove Floor Lamp 750
w178 x d178 x h750



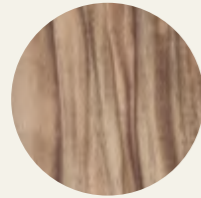
Groove Floor Lamp 1200
w288 x d288 x h1200



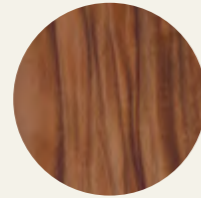
Groove Floor Lamp 1500
w357 x d357 x h1500

MATERIAL OPTIONS

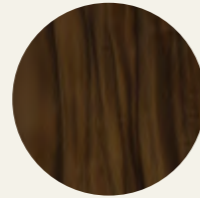
- Woods



Natural Light
(*thin coating)



Natural



Natural Dark

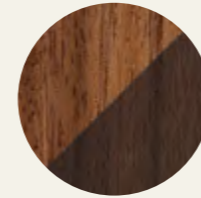


Black

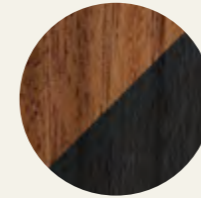


Rough Black

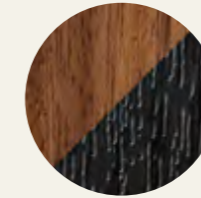
- Woods [two-tone] (*Special finishing for “Darakorn Shelf”)



Natural(live edge)
/ Natural Dark(body)

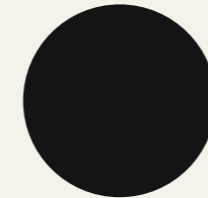


Natural(live edge)
/ Black(body)

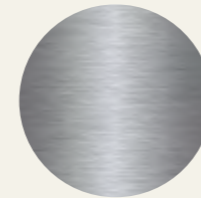


Natural(live edge)
/ Rough Black(body)

- Metals (*Material for “Buacheen Stool / Panna Table(Matt Black only)”)

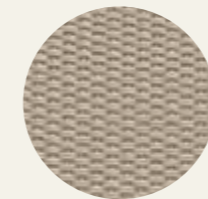


Matt Black

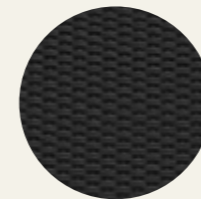


Hairline Steel
(*stainless steel)

- Cords (*Material for “Phaka Lounge”)



Natural



Black

Wood Conditions

- Our products are mainly made of Solid Chamchuri Wood (known as Acacia - Raintree) which is a organic material.
- Each and every solid wooden product is absolutely unique and has different colors, shades, and grains.
- Any cracks, knots, holes, or splits before or after sale represent a natural feature of true solid wood. They are not imperfections but rather been accepted as a characteristic of solid wood.
- The movements between each solid wood plank glued together to form the tabletop or furniture part might occur over time due to the different conditions of weather, environment, and humidity. It cannot represent a reason for claims.

- Ceramic (*Material for “Siam bookshelf”)



Celadon

CONTACT

For any enquiries on the products, projects and customization,
please contact us via email at :

sales@ovas-home.com

OVAS (SINGAPORE) PTE LTD

9 Raffles Blvd #02-46 Millenia Walk Singapore 039596

T: +65-69572255

M/WA: +65-81835155

www.ovas-home.com

photo by NONTARAT HASITAPONG

OVAS
The Art of Lifestyle

www.ovas-home.com